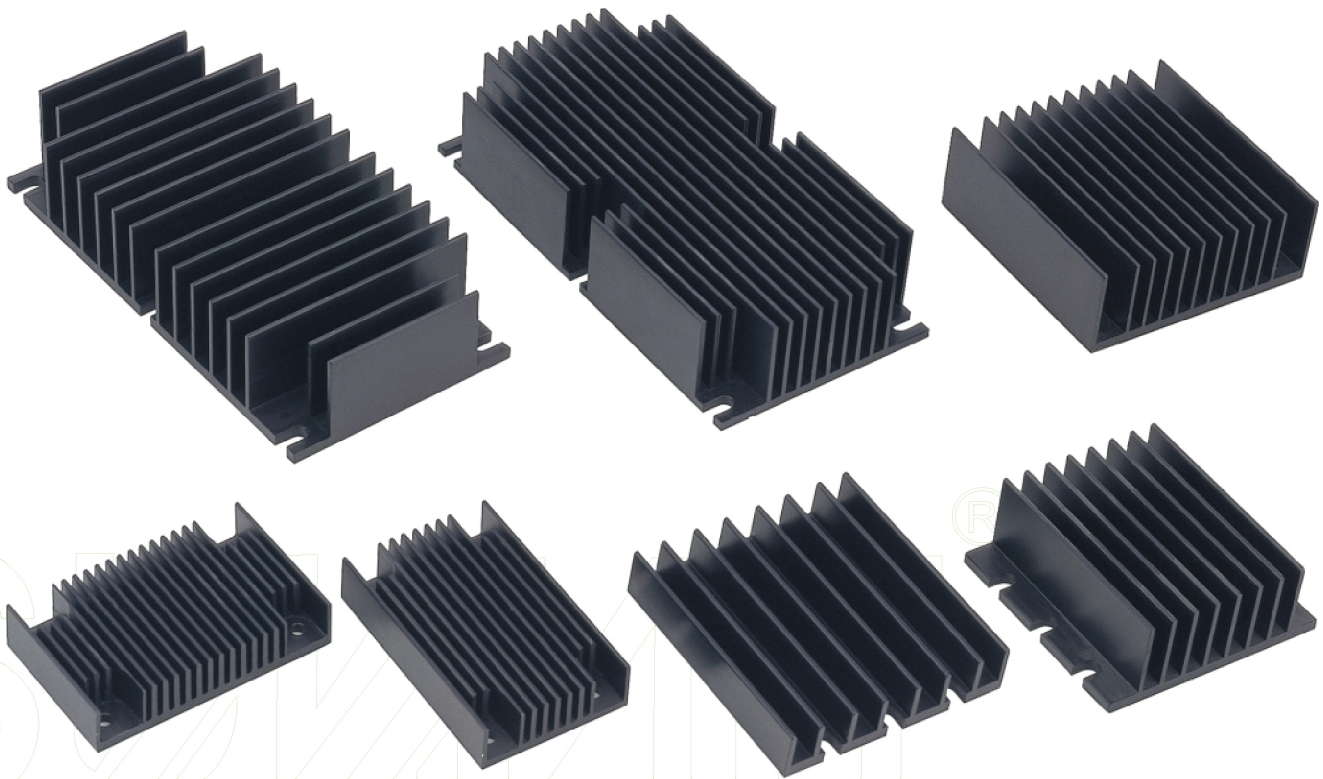
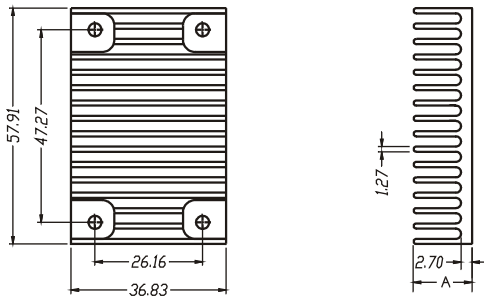


# Heat Sinks for DC-DC Converters

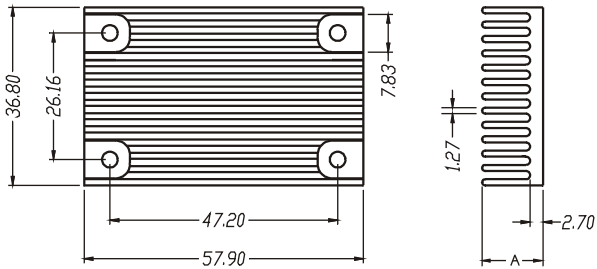


- Same hole location, different height for different power package
- AT&T Style and Vicor Style Available
- Thermal Pad Available

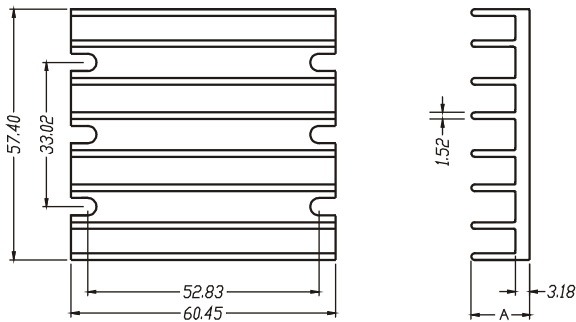
# HEAT SINKS FOR DC-DC CONVERTERS



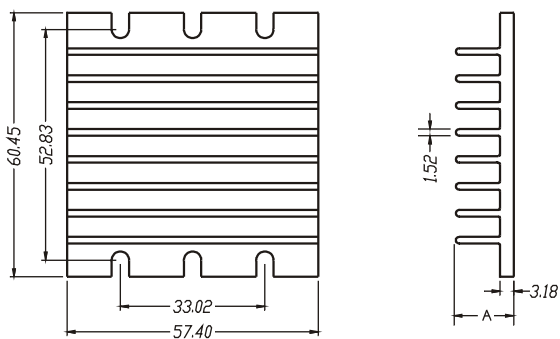
PART NUMBER	HEIGHT "A" (mm)	FIN No.s
SD730101	6.35	22
SD730103	12.70	22
SD730105	25.40	16



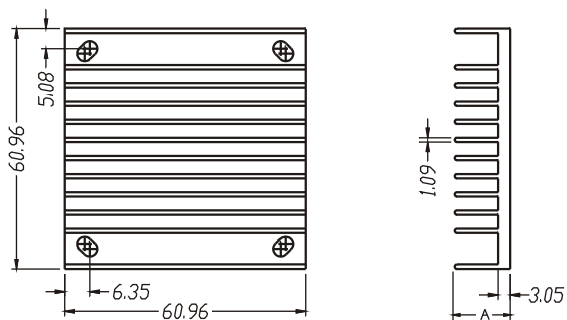
PART NUMBER	HEIGHT "A" (mm)	FIN No.s
SD730201	6.35	13
SD730203	12.70	13
SD730205	25.40	10



PART NUMBER	HEIGHT "A" (mm)
SD730301	6.35
SD730302	10.16
SD730303	12.70
SD730304	17.78
SD730305	22.86

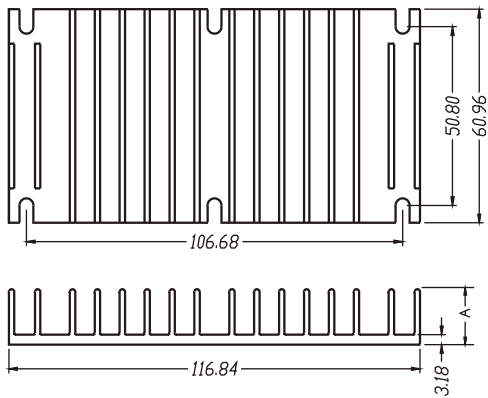


PART NUMBER	HEIGHT "A" (mm)
SD730401	6.35
SD730402	10.16
SD730403	12.70
SD730404	17.78
SD730405	22.86

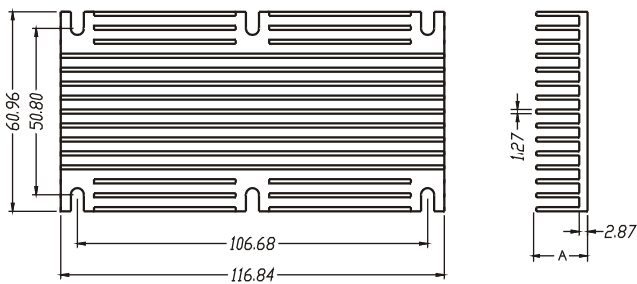


PART NUMBER	HEIGHT "A" (mm)
SD730501	6.35
SD730502	10.16
SD730503	12.70
SD730504	17.78
SD730505	22.86

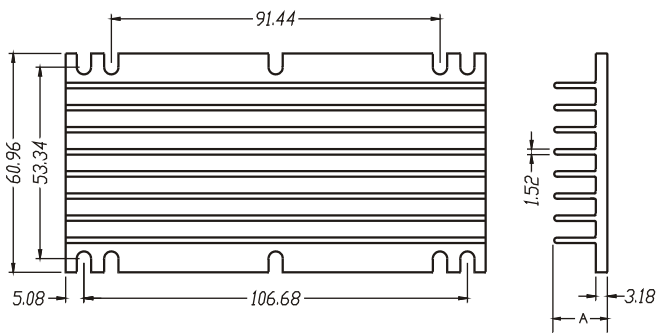
# HEAT SINKS FOR DC-DC CONVERTERS



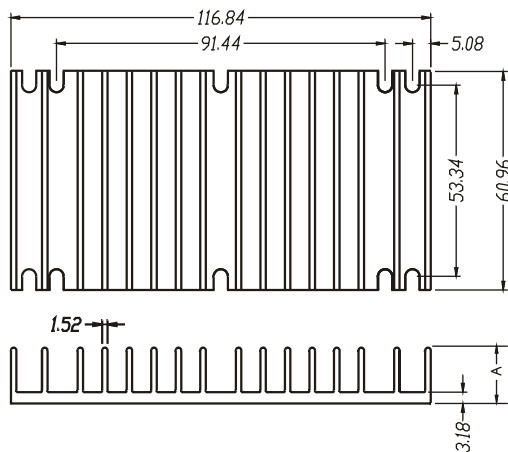
PART NUMBER	HEIGHT "A" (mm)
SD730601	6.35
SD730602	10.16
SD730603	12.70
SD730604	25.40
SD730605	38.10



PART NUMBER	HEIGHT "A" (mm)
SD730701	6.35
SD730702	10.16
SD730703	12.70
SD730704	25.40
SD730705	8.10



PART NUMBER	HEIGHT "A" (mm)
SD730801	6.35
SD730802	10.16
SD730803	12.70
SD730804	22.86



PART NUMBER	HEIGHT "A" (mm)
SD730901	6.35
SD730903	12.70
SD730905	22.86